

Aluminium structural sections



28 Profile

Profile Dimensions : 28mm x 50mm
Aluminium Grade: 6060 - T6
Standard Lengths :
2.4m , 3.6m , 4.8m , 6m
Finish :
Powdercoated Monument



55 Profile

Profile Dimensions : 55mm x 55mm
Aluminium Grade: 6060 - T6
Standard Lengths :
2.4m , 3.6m , 4.8m , 6m
Finish :
Powdercoated Monument



110 Profile

Profile Dimensions : 110mm x 50mm
Aluminium Grade: 6060 - T6
Standard Lengths :
4.8m , 6m
Finish :
Mill Finish

Joiner



Joiner

Profile Dimensions : 50mm x 6mm
Aluminium Grade: 6061 - T6
Finish: Anodized

Brackets



Corner Bracket

2mm Powdercoated Stainless Steel

Clips



Hold down Clip

Aluminium 6060-T6

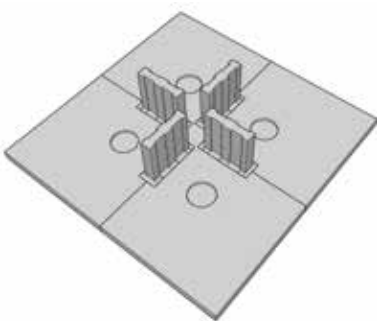
Fixings



Hex Screw

20mm - M12
Marine Coated
SS Screw W/ Washer

Accessories



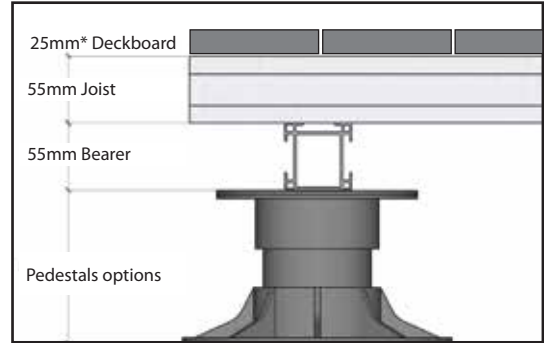
Tile Spacer

3.5mm Spacing
Uv Stable, Fibreglass
Plastic

Pedestals



Typical layout



*Refer to manufacturer for deck board height

MODEL NO.	Height Range	Finished Floor Heights (includes 25mm deckboard + profile combination below)				
		28 JOIST ONLY	55 JOIST ONLY	55 JOIST 55 BEARER	55JOIST 110 BEARER	110 JOIST 110 BEARER
FX 0	10-25mm	63-78	90-105	145-160	200-215	255-270
PP A	24-35mm	77-88	104-115	159-170	214-225	269-280
PP B	33-47mm	86-100	113-127	168-182	223-237	278-292
PP C	45-70mm	98-123	125-150	180-205	235-260	290-315
PP D	65-110mm	118-163	145-190	200-245	255-300	310-355
PP E	95-190mm	148-243	175-270	230-325	285-380	340-435
PP E + 1 EX	185-325mm	238-378	265-405	320-460	375-515	430-570
PP E + 2 EX	260-440mm	313-493	340-520	395-575	450-630	505-685