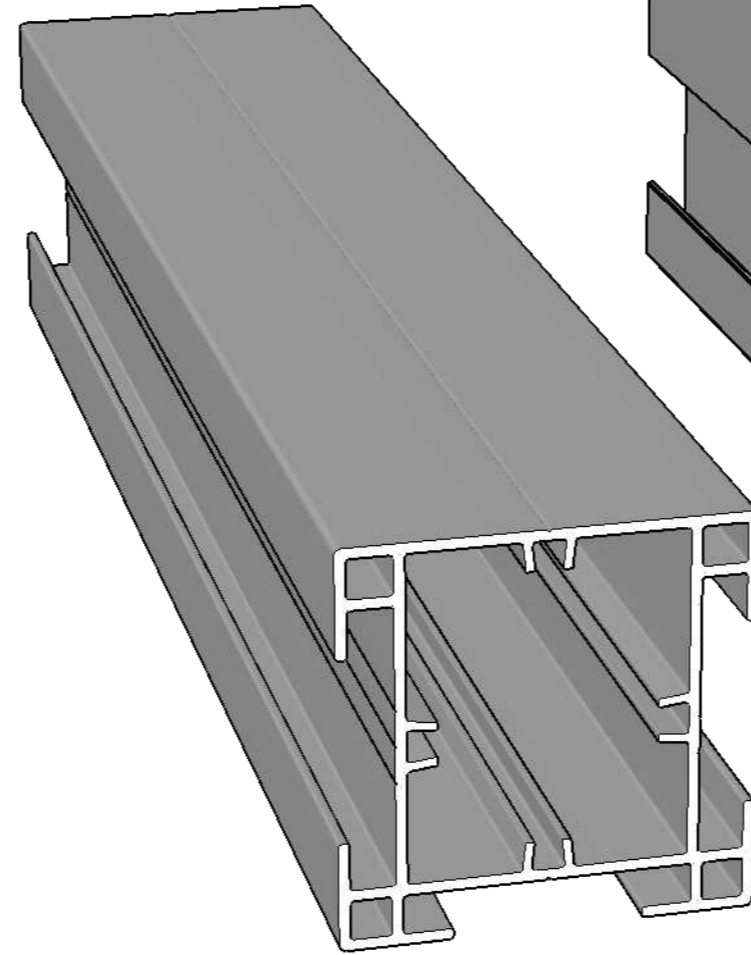
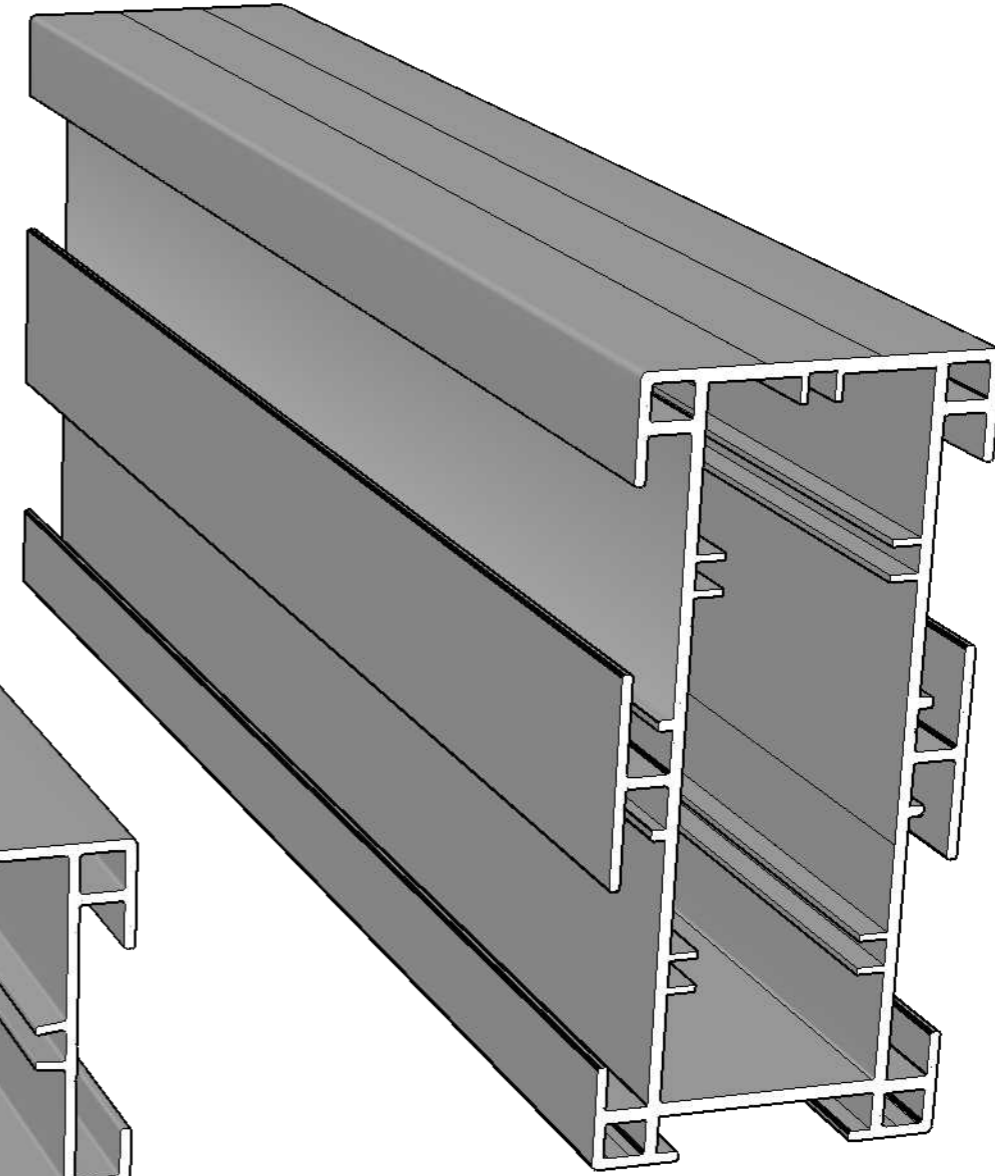


28PROFILE

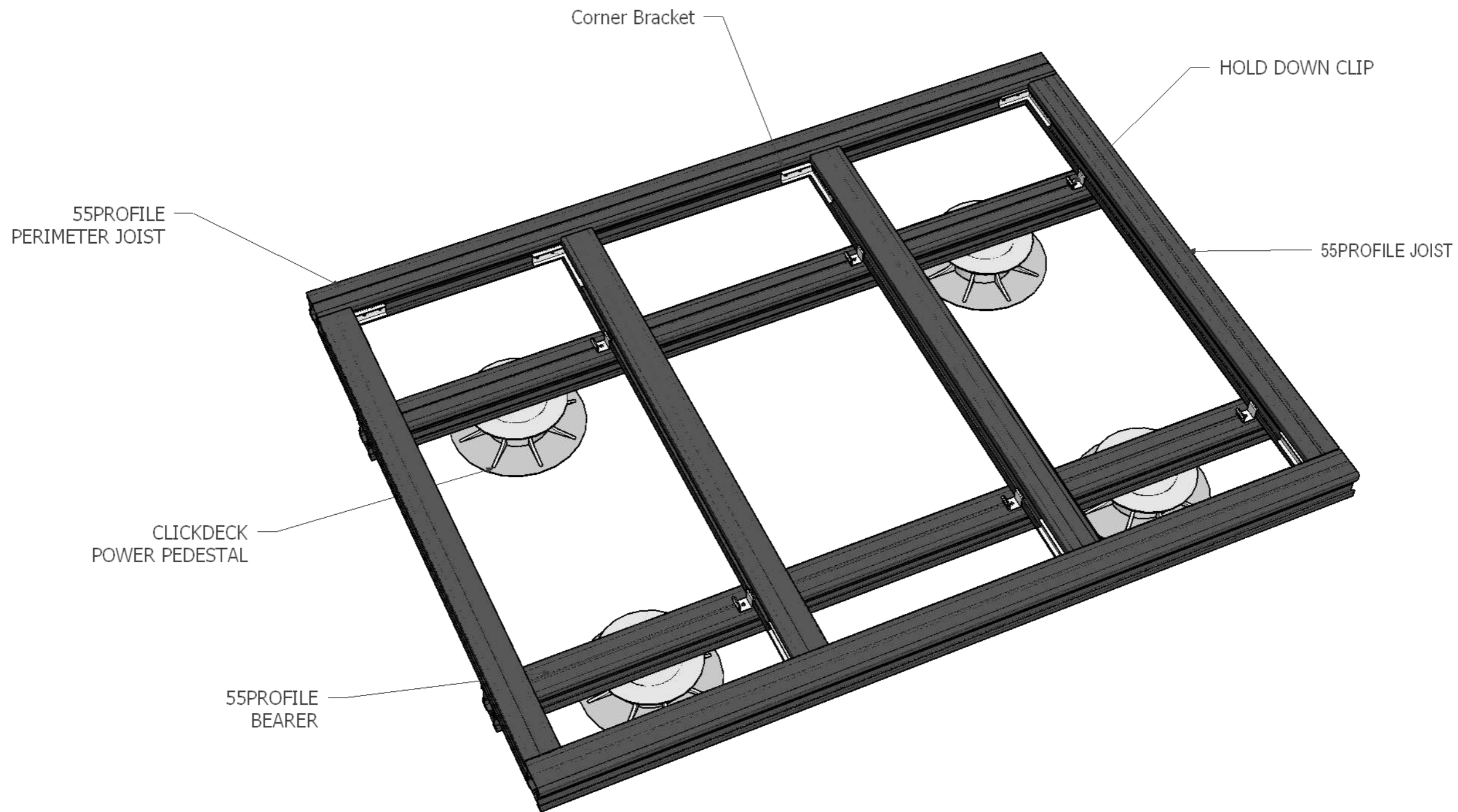


55PROFILE



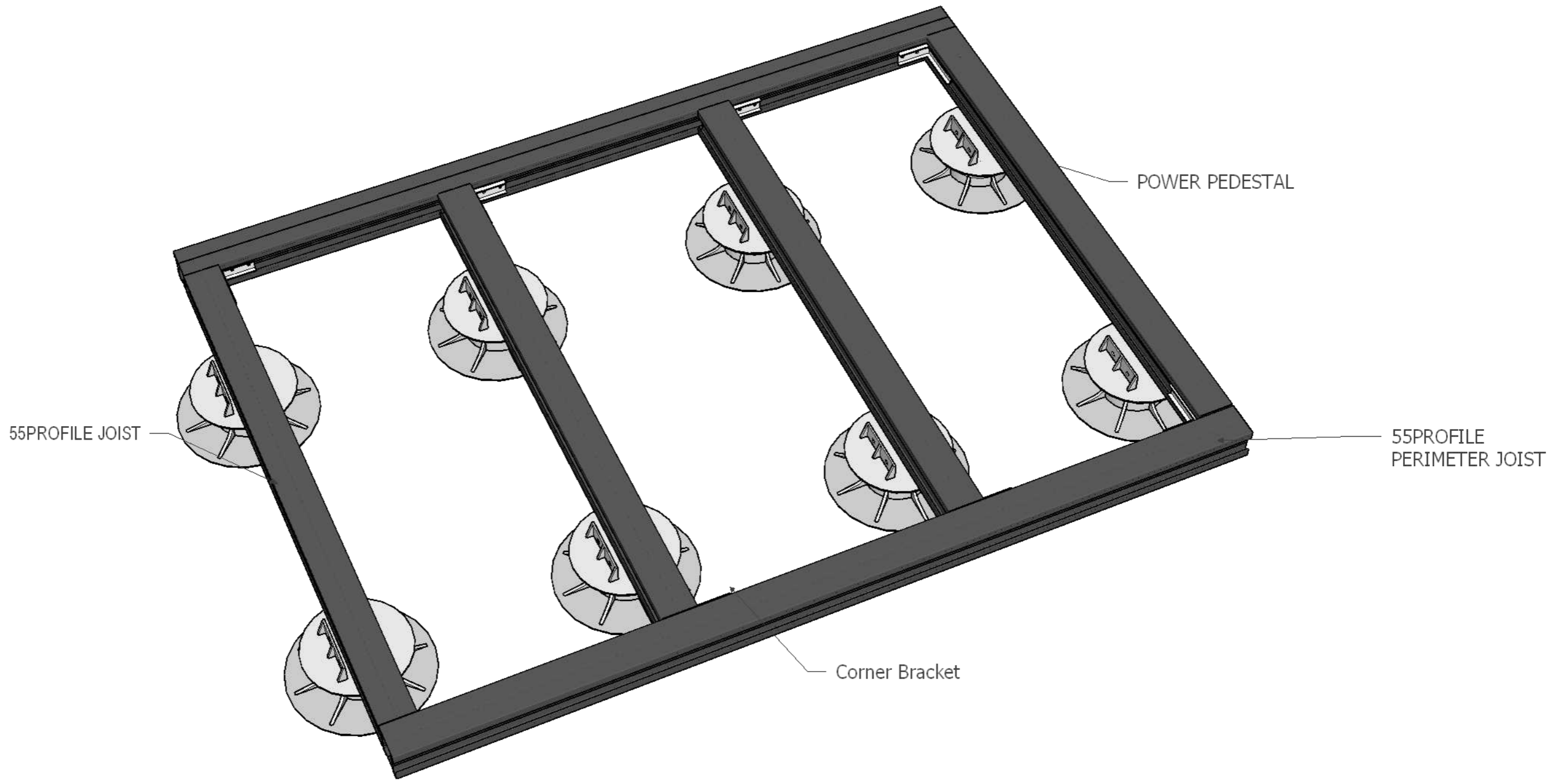
110PROFILE

REV	DESCRIPTION	DRN	DATE	CLIENT ADDRESS
A				13/9/23 - N.A
B				
C				



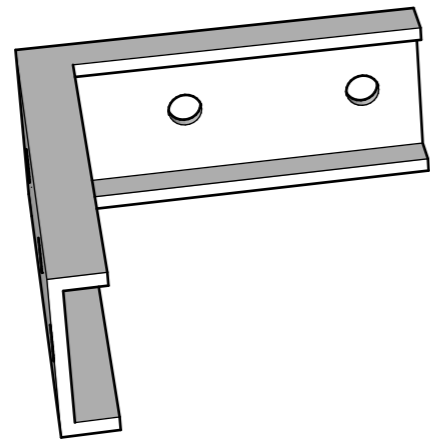
REV	DESCRIPTION	DRN	DATE
A			
B			
C			

CLIENT ADDRESS  
13/9/23 - N.A



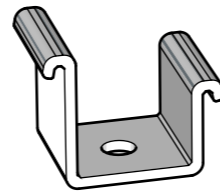
REV	DESCRIPTION	DRN	DATE
A			
B			
C			

CLIENT ADDRESS  
13/9/23 - N.A



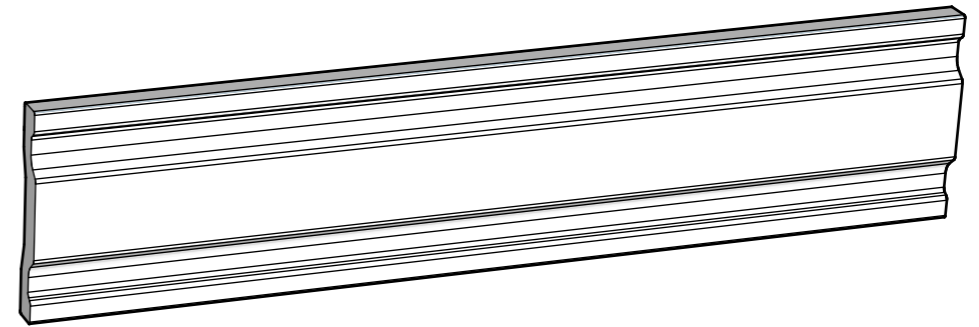
## CORNER BRACKETS

Used to connect profiles together



## HOLD DOWN CLIPS

Used to fasten the Joists to Bearers



## JOINERS

Used to Join profiles together

REV	DESCRIPTION	DRN	DATE	CLIENT ADDRESS
A				13/9/23 - N.A
B				
C				