

Aluminium structural sections



55 Profile

Profile Dimensions : 55mm x 55mm
Aluminium Grade: 6060 - T6
Standard Lengths :
2.4m , 3.6m , 4.8m , 6m
Finish :
Powdercoated Monument



110 Profile

Profile Dimensions : 110mm x 45mm
Aluminium Grade: 6060 - T6
Standard Lengths :
4.8m , 6m
Finish :
Powdercoated Monument

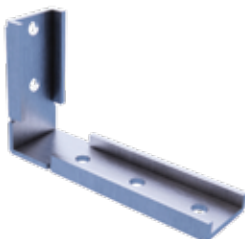
Joiner



Joiner

Profile Dimensions : 50mm x 6mm
Aluminium Grade: 6061 - T6
Finish: Anodized

Brackets



Corner Bracket

2mm Powdercoated Stainless Steel

Clips



Hold down Clip

Aluminium 6060-T6



Tile Retaining Clip

Aluminium 6060-T6

Fixings



Hex Screw

25mm Stainless Steel
Metal drilling Screw
M10 - 4.8mm Shaft

Accessories



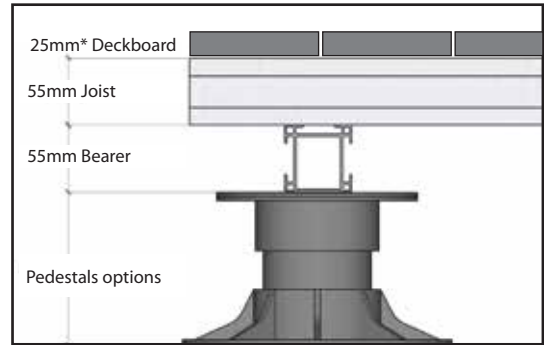
Tile Rubber Strip

1m Strips

Pedestals



Typical layout



*Refer to manufacturer for deck board height

Model Number	Pedestal Range (All measurements are in millimeters)	Finished Floor Height	
		Including (Deckboard/Joist/Bearer/pedestal)	Including (Deckboard/Joist/pedestal)
FX0	10-15	145-155	90 - 95
FX1	25-40	160-175	105-120
FX2	41-70	176-205	121-150
FX3	71-100	206-235	
FX4	101-160	236-295	
FX4-1	161-280	296-415	
FX5-1	281-390	416-525	
FX5-2	391-530	526-665	
FX5-3	631-634	666-769	
FX4-5	635-860	770-955	

FX - (*) Refers to amount of extensions